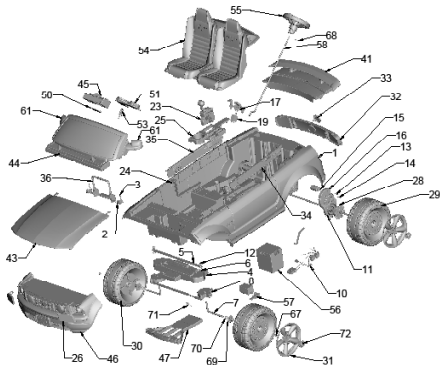


**J9562- US/TRU**  
**J9564-CANADA**  
**FORD MUSTANG**  
**12 VOLT ADVANCED SERIES**

Age Range:	3-7 Years
Weight Limit:	130 lbs.
Surfaces:	Hard and Grass
Speed:	2.5 MPH Forward/Reverse 5.0 MPH Forward
Colors:	White Body, Black Wheels
Intro:	2006
Suggested Retail:	\$299.99
Box Dimensions:	30.9 X 18.4 X 51.8 96 LBS
Warranty:	One Year Vehicle Six Months Battery



ITEM	PART #	DESCRIPTION	QTY	ITEM	PART #	DESCRIPTION	QTY
1	N/A	BODY	1 EA	35	N/A	RIGHT INSIDE DOOR	1 EA
2	N/A	PIVOT RETAINER	2 EA	36	3800-7809	BATTERY RETAINER	1 EA
3	N/A	SCREW, SELF TAPPING	6 EA	41	J9562-9419	REAR DECK W/ SPOILER	1 EA
4	J9562-2119	FRONT MODULE	1 EA	43	J9562-9459	HOOD ASSY.	1 EA
5	J4390-4009	CROSS BAR	1 EA	44	J9562-9709	WINDSHIELD ASSY.	1 EA
6	0801-0196	7/16 FLAT WASHER	2 EA	45	J4390-9619	SOUNDBOX ASSY.	1 EA
7	J4390-4509	FRONT AXLE	2 EA	46	J9562-9809	FRONT BUMPER W/ LIGHTS	1 EA
8	J4390-9159	STEERING LINKAGE ASSY.	1 EA	47	J9562-2829 N/A	FRONT BUMPER SUPPORT	2 EA
<b>10</b>	<b>J4390-9799</b>	<b>MAIN WIRING HARNESS</b>	1 EA	50	N/A	BATTERY DOOR ASSY	1 EA
<b>11</b>	<b>00968-2801</b>	<b>GEARBOX</b>	<b>2 EA</b>	51	N/A	SOUNDBOX COVER	1 EA
12	0801-0226	.437 CAP NUT	<b>2 EA</b>	53	J4390-2649	SOUNDBOX KEY	1 EA
<b>13</b>	<b>00801-0198</b>	<b>M3-.5 X 32MM NYLOK SCREW</b>	<b>2 EA</b>	54	J4390-9759	SEAT ASSY.	1 EA
<b>14</b>	<b>N/A</b>	<b>M3-.5 X 32 MM SLOT ROUND SCREW</b>	<b>1 EA</b>	55	J4390-9769	STEERING WHEEL ASSY.	1 EA
<b>15</b>	<b>00968-2707</b>	<b>MOTOR PINION</b>	<b>2 EA</b>	56	00801-0638	12V BATTERY	1 EA
<b>16</b>	<b>00968-2918</b>	<b>MTGBX ASSY.</b>	<b>2 EA</b>	57	00801-0972	12V PROBE CHARGER	1 EA
17	J9562-9309	FOOTBOARD ASSY	<b>1 EA</b>	58	J4390-4409	STEERING COLUMN	1 EA
<b>19</b>	<b>00801-0923</b>	<b>SWITCH-ROCKER</b>	<b>2EA</b>	61	3800-8227	RIGHT/LEFT MIRROR HOUSING/COVERS	1 EA
23	J4390-9209	SHIFTER ASSY.	<b>1 EA</b>	67	00905-0116	3/8"-16 LOCK NUT	2 EA
24	J9561-2259	WIRE COVER	1 EA	68	00801-1565	5/32-X 1 1/2 PIN	1 EA
25	J4390-2469	CENTER CONSOLE	1 EA	69	B9785-2229	BUSHING	2 EA
26	N/A	HEADLIGHT COVER	2 EA	70	0801-0196	WASHER	2 EA
28	J4390-2269	DRIVER	2 EA	71	00801-1620	FASTENER CAP	1 EA
29	J4390-2279	LEFT WHEEL (rear uses .437 cap nut)	2 EA	72	J4390-2329	HUBCAP	4 EA
30	J4390-2289	RIGHT WHEEL (rear uses .437 cap nut)	2 EA				
31	J9561-2319	WHEEL COVER	4 EA				
32	3800-8228	TAILLIGHT ASSY.	2 EA				
33	J4390-6409	GAS CAP	1 EA				
34	N/A	LEFT INSIDE DOOR	1 EA				

3/5/2010

**PARTS NOT SHOWN**

J4390-4519	REAR AXLE	1
J4390-9259	PARTS BAG	1
J4390-9269	HARDWARE BAG	1
J4390-2479	EXHAUST PIPE RIGHT	1
J4390-2909	EXHAUST PIPE LEFT	1
74440-5349	SEATBELT SET	1
00801-1567	ASSEMBLY TOOL (WRENCH)	1

**PARTS NOT SHOWN**

N/A	DRIVING LIGHTS	2
J9562-0310	MAIN DECAL	1
J4390-0320	MYLAR DECAL	1
J4390-0920	MANUAL	1
<b>00801-0933</b>	<b>FOOTSWITCH</b>	<b>1</b>
J4394-9059	BATTERY LIFE INDICATOR	1
00801-1518	PW EMBLEM	1

**Bold and underlined parts are to be purchased and installed by Service Centers only. These items may not be sold directly to consumers by Service Centers or Fisher-Price.**