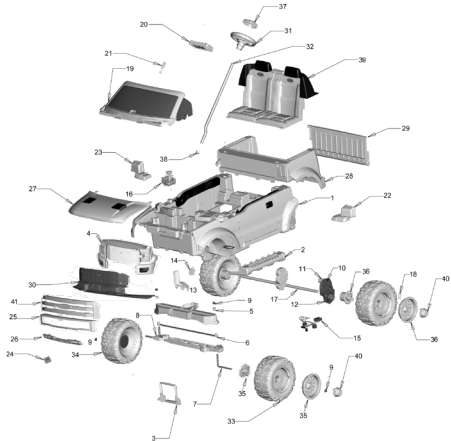


BJM25 Ford F150 Black PW Advanced	
Age Range:	3 and up
Weight Limit:	130 Lbs
Surfaces:	Monster Traction
Speed:	2.5 and 5 MPH Forward 2.5 MPH Reverse
Colors:	Black Body/Black Wheels
Intro:	2014
Suggested Retail:	\$374.85
Box Dimensions:	29.875" x 35.875" x 51.5"
Warranty:	One Year Vehicle Six Months Battery



Item	Part #	Description	QTY	Item	Part #	Description	QTY
1	N/A	Body	1	29	BJM25-9059	Tailgate for F150	1
2	BJM25-2729	Step Bar for F150	2	30	BJM25-9009	Front Bumper w/Logo for F150	1
3	3800-7809	Battery Retainer	1	31	K8285-9069	Steering Wheel for Ford F-150 (black)	1
4	3900-3101	Front End w/Lights for F150	1	32	K8285-4009	Steering Column for Ford F-150	1
5	K8285-2169	Bushing for Ford F-150	4	33	K8285-2239	Left Wheel for Ford F-150	2
6	K8285-4459	Crossbar for Ford F-150	1	34	K8285-2039	Right Wheel for Ford F-150	2
7	K8285-4509	Front Axle for Ford F-150	2	35	3900-3091	Bag (rim front inner & outer)	1
8	K8285-9159	Steering Linkage for Ford F-150	1	36	BJM25-2429	Bag (rim rear inner and outer)	1
9	00801-1939	Cap Nut .437 Retainer	4	37	K8285-2199	Steering Wheel Cap for Ford F-150	1
10	00968-2938	# 7 Motor Gearbox Assembly	2	38	J4394-2149	Retainer, Axle/Steering Column Cap	1
11	00968-2720	# 7R Motor Pinion	2	39	X6647-9859	Seat w/Headrests for Ford Raptor	1
12	00968-2823	# 7R Gearbox	2	40	BJM25-6189	Hubcap Center (chrome)	4
13	BJM25-9309	Footboard Assembly for F150	1	41	BJM25-6949	Grille (Chrome) for F150	1
14	00801-2039	Footswitch - (plunger type)	1				
15	T6991-9799	Wiring Harness for Ford F-150	1				
16	K8285-9319	Shifter for Ford F-150	1				
17	K8285-4519	Rear Axle for Ford F-150	1				
18	00801-1712	Cotter Pin	2				
19	BJM25-9759	Dash w/Windshield/Microphone/Soundbox	1				
20	BJM25-9629	Soundbox for F150	1				
21	C3493-9049	Key Housing for F150	1				
22	3900-3093	Mirror Bag (left & right) for F150	1				
23	See #22	Mirror Right	1				
24	00801-1518	Large Power Wheel Emblem	1				
25	BJM25-6999	Chrome Trim	1				
26	BJM25-2049	Grille Support for F150	1				
27	BJM25-9639	Hood for F150	1				
28	N/A	Truck Bed	1				
					Part #	Description	QTY
					BJM25-0720	Manual for F150	1
					BJM25-0333B	Label Sheet for F150	1
					3900-3030	Hardware Bag for F150	1
					00801-1775	Switch Control - (shifter/rocker type)	2
					00801-1869	12 Volt Battery (1)	1
					00801-1778	12 Volt Charger w/Probe	1
					00801-2084	Seatbelt (black)	1

Bold and underlined parts are to be purchased and installed by Service Centers only. These items may not be sold directly to consumers by Service Centers or Fisher-Price.