

Age Range: 3 and up
Weight Limit: 130lbs MAX:
 (Vehicle 90 lbs)
 (Trailer 40 lbs)
Surfaces: Grass/Asphalt & Other
 Hard Surfaces
Speed: 2.5 FOR/REV
 5.0 FOR

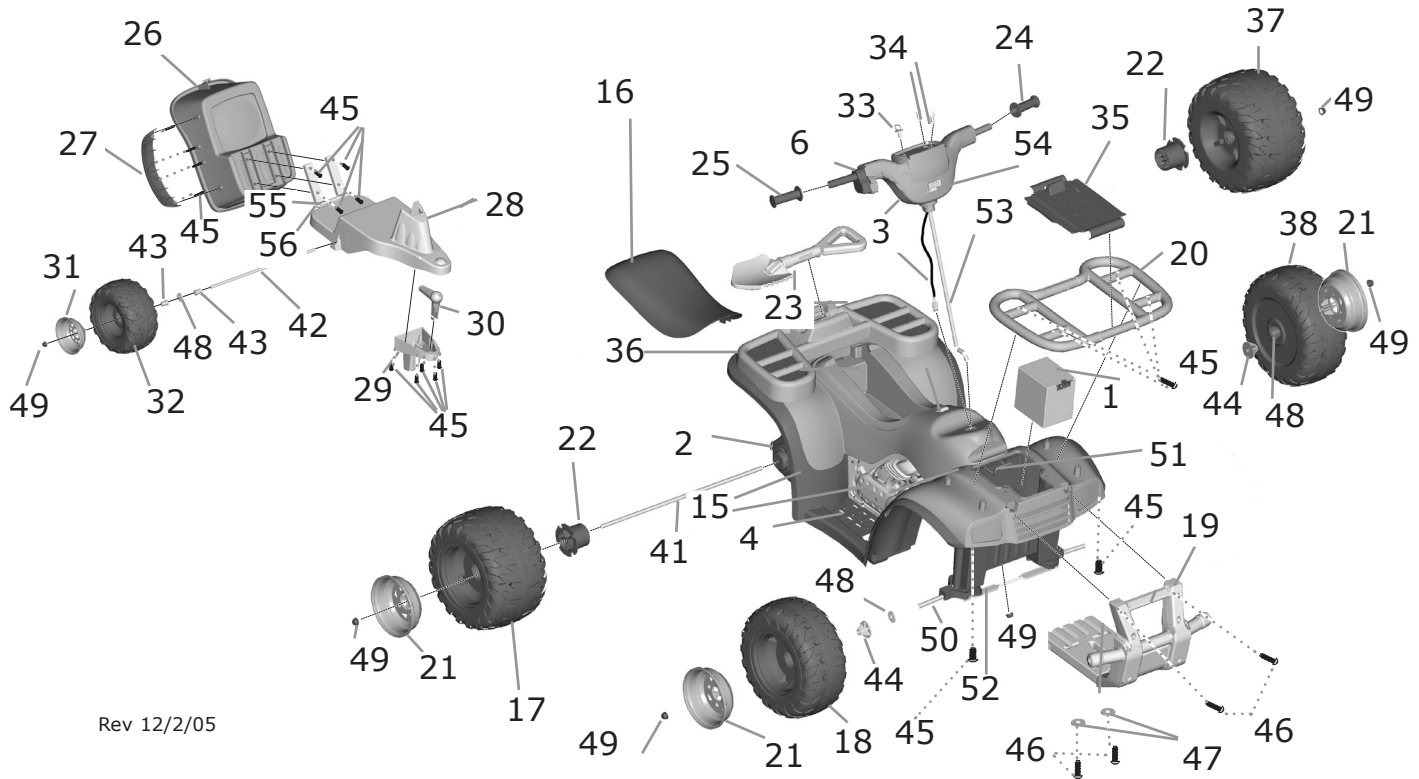


B9785

Kawasaki Adventure 4x4 W/Trailer 12V Advanced Series

Colors: Green Body/Black Seat & Wheels
Intro: 2004
Suggested Retail: 279.99
Box Dimensions:
 26.500 x 28.880 x 47.000
 59 lbs
Warranty
 One Year Vehicle
 6 Months Battery

Vehicle Left View



Rev 12/2/05

Item No.	Description	Part No.	Qty. Item	Part	No. Qty.	Description	No.
Electrical Parts- SHOWN							
1.	12V Battery	00801-0638	1				
2.	Motor Gearbox Assembly	00968-2910	2				
3.	*Complete Handlebar Assembly	B9785-9719D	1				
	(See below)						
4.	Footboard Assembly	B9785-9449D	1				
5.	Control Switch F/R	00801-0885	1				
6.	Turbo Switch Assembly N/A	73600-9719	1				
Plastic / Other Parts							
15.	Body w/False Motors	N/A					
16.	Seat	B9785-2159	1				
17.	Vehicle Rear Wheel (Wide)-RIGHT	B9785-2299	1				
18.	Vehicle Front Wheel (Narrow RIGHT)	B9785-2339	1				
19.	Brushguard	B9785-2349	1				
20.	Front Rack	B9785-2429	1				
21.	Vehicle Hubcap (Large)	B9785-2459	4				
22.	Rear Wheel Driver	74460-2249	2				
23.	Shovel	80155-2449	1				
24.	Left Grip w/Small Hole	74290-2399	1				
25.	Right Grip w/Large Hole	73600-2839	1				
26.	Bucket	B9785-2519	1				
27.	Fender	B9785-2539	2				
28.	Trailer Frame	B9785-9200D	1				
29.	Hitch Cover	B9785-2629	1				
Hardware / Metal Parts							
30.	Hitch Mount Clip	B9785-9150	1				
31.	Trailer Hubcap (Small)	B9272-2459	2				
32.	Trailer Wheel (Small)	B9272-2339	2				
33.	Key Assembly	B9785-2449	1				
34.	Knob	B9785-2179	2				
35.	Battery Compartment Cover	B9785-2329	1				
36.	Rear Rack	B9785-2439	1				
37.	Vehicle Rear Wheel (Wide)-LEFT	B9785-2369	1				
38.	Vehicle Front Wheel (Narrow) LEFT	B9785-2359	1				
41.	Rear Vehicle Axle (Long)	B9785-4509	1				
42.	Trailer Axle-(Short)	74110-4549	1				
43.	Bushing (.437 Long-Trailer)	73610-2689	4				
44.	Bushing (.437-Vehicle)	B9785-2229	2				
45.	#8 x 3/4 Screw	0912-8001	60				
46.	# 8 x 2 Screw N/A (Order Hardware Bag)	00912-8008	6				
47.	3/16 Washer N/A (Order Hardware Bag)	0801-0155	2				
48.	7/16 Washer	0801-0196	6				
49.	.437 Cap Nut	0801-0226	11				
50.	Front Axle	B9785-4519	2				
51.	Battery Retainer Assembly	3800-7593	1				
52.	Steering Linkage Assembly	B9785-9199D	1				
53.	Steering Column	B9785-4549	1				
54.	PW Emblem	74460-9069	1				
55.	Pivot Pin N/A	B9785-4639	1				
56.	.354 Cap Nut	0801-0604	2				
Parts Not Shown							
	Large Parts Bag	B9785-9269D	1				
	Small Parts Bag	B9785-7410D	1				
	Hardware Bag	B9785-9279	1				
	Owners Manual	B9785-0920	1				
	Decal Sheet	B9785-0310	1				
	Cap Nut Tool	78640-2629	1				
	Metal Neck	73690-4289	1				
	Adhesive Clip	0801-0313	1				
	Footboard Cover-Lower	B9785-2289	1				
Electrical Parts-NOT SHOWN							
	12V Charger w/Probe	00801-0972	1				
	Gearbox W/out Motor	74310-9529	2				
	Motor Pinion Assembly	00968-2701	2				
	Main Harness Assembly	B9785-9799	1				
	Footswitch (Plunger Type)	00801-0933	1				
	PC Board	74287-9729	1				

*The handlebar assembly includes the steering column, handlebar harness and turbo switch assy. When ordering this part, you will also need to order the left and right handgrip.

Bold and Underlined parts are to be purchased and installed by Service Centers only. These items may not be sold directly to consumers by Service Centers or Fisher-Price.